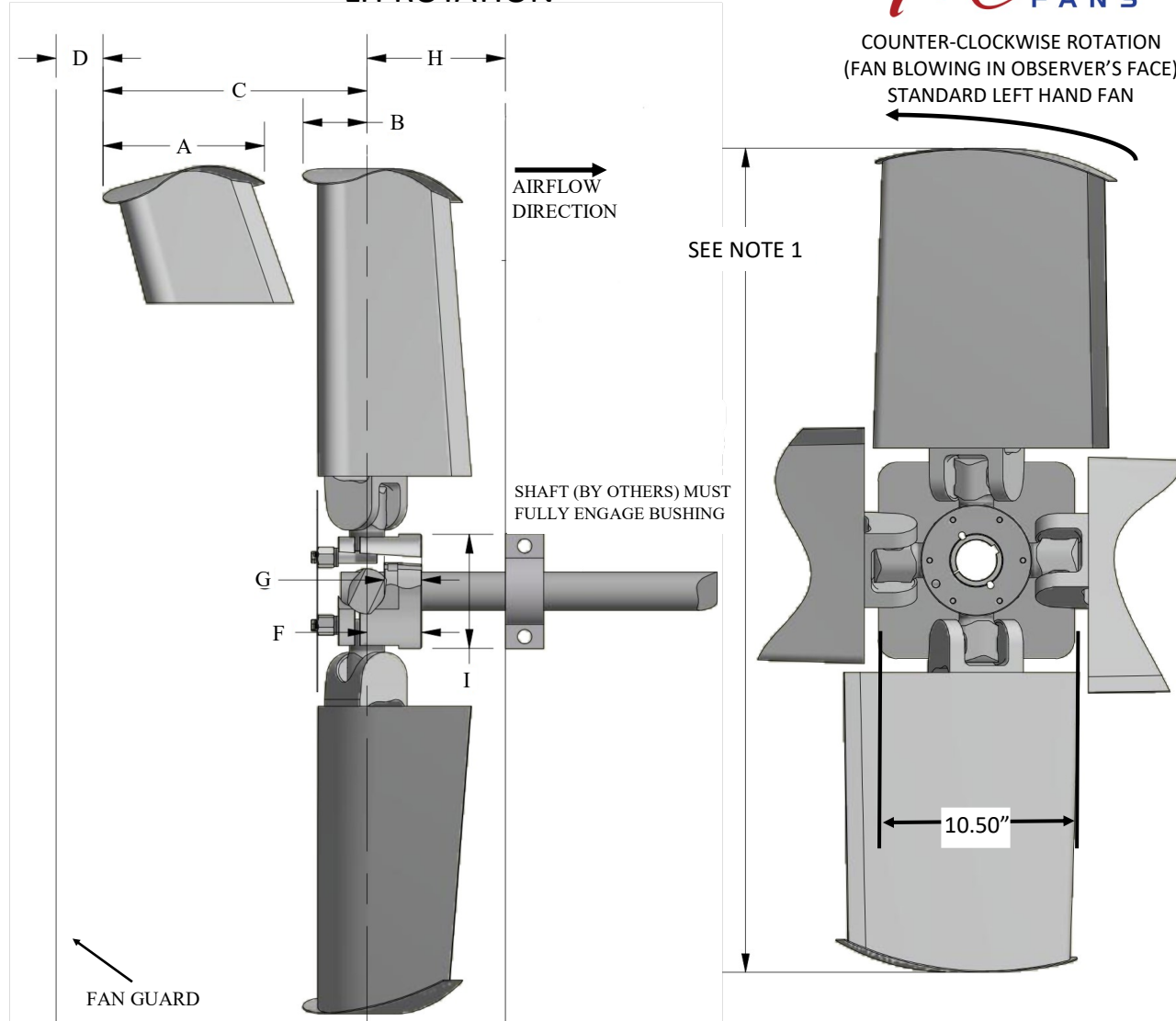
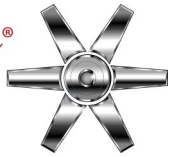


# CLASS 10000 HD SERIES 12 SC

LH ROTATION

**Moore**  
FANS



COUNTER-CLOCKWISE ROTATION  
(FAN BLOWING IN OBSERVER'S FACE)  
STANDARD LEFT HAND FAN

SEE NOTE 1

SHAFT (BY OTHERS) MUST FULLY ENGAGE BUSHING

FAN GUARD

NOTE 1:  
MAXIMUM FAN DIAMETER EQUALS NOMINAL FAN DIAMETER. SERIES 12 HAS ADJUSTMENT OF -1/4 INCHES\* POSSIBLE AT INSTALLATION, NO OUTWARD ADJUSTMENT

- A = BLADE TIP THICKNESS @ 25° BLADE ANGLE
- B = RUNNING POSITION OF BLADES
- C = MAXIMUM DROOP POSITION OF BLADES
- D = MINIMUM OBSTACLE CLEARANCE AT INLET
- F = CENTERLINE OF FAN TO BASE OF BUSHING
- G = BUSHING OVERALL HEIGHT
- H = MINIMUM OBSTACLE CLEARANCE AT OUTLET
- I = NOMINAL MECHANICAL HUB DIAMETER
- L = MAXIMUM BUSHING TORQUE FT. LBS.
- # = WITH S.A.E. STANDARD SQUARE KEYWAY
- \* = WITH SHALLOW KEYWAY IN BUSHING
- o = MAX METRIC BORE WITH STANDARD KEYWAY

BUSHING CAN BE INSTALLED ON INLET OR OUTLET SIDE OF FAN. AIR SEAL MUST BE OPPOSITE OF BUSHING

WITH FAN OPERATING AT 12000 FT/MINUTE BLADE TIP SPEED

DIA	PERCENT BLADE LOADING				C	D	H
	100%		75%				
	A	B	B	B			
3'	8.6"	3.5"	3.5"	5.5"	2.0"	7.0"	
4'	8.2"	3.9"	3.9"	5.9"	2.0"	7.0"	
5'	7.8"	4.3"	4.3"	6.3"	2.0"	7.0"	
6'	7.4"	4.8"	4.8"	6.8"	2.0"	7.0"	

MAX BLADES	BUSHING TYPE	MAX # BORE	MAX * BORE	MAX o BORE	I	F	G	L
5	T	2.000"	2.188"	55	6"	2.850"	1.9"	2000